



IP20 Class II (V)

Product Features

- Medical safety approvals
- 2 MOPP input to output isolation
- Suitable for medical equipment up to class BF^(^)
- Low leakage current ≤ 100µA
- ≤ 0.3W standby power
- 12V to 24V outputs, up to 36W
- Up to 5,000m operating altitude
- Interchangeable AC plugs

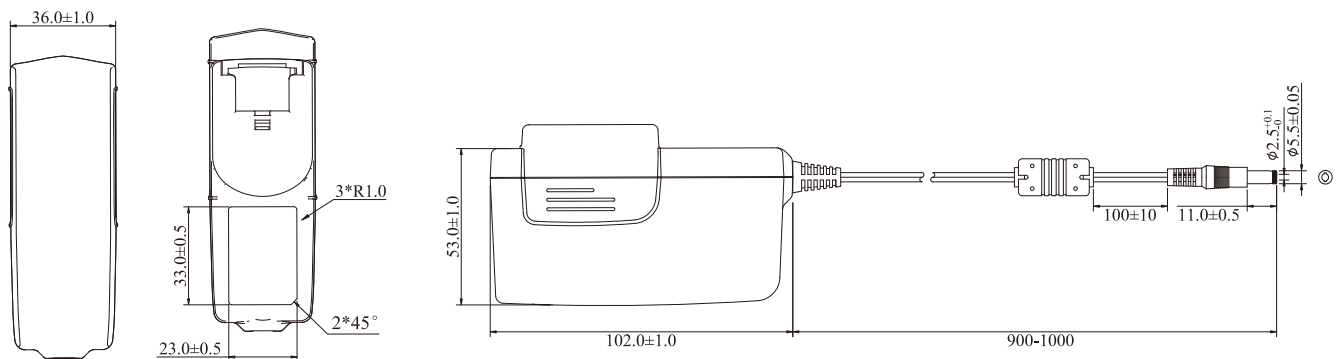
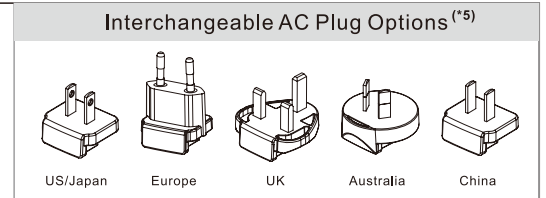


Models & Ratings

Model Number	Voltage ⁽¹⁾ (V)	Current (A)	Rated Power	Ripple & Noise (max) ⁽²⁾	Voltage Tolerance	Line & Load Regulation	Efficiency (Average)	Start Up Delay
UE36LCP1-XXXXYYSPA	12.0	0.01-3.00	36W	200mVpk-pk	±5%	Line: ±1% Load: ±5%	84.78%	≤3s
UE36LCP1-XXXXYYSPA	12.1-13.0	0.01-2.67	36W	200mVpk-pk	±5%		84.55%	≤3s
UE36LCP1-XXXXYYSPA	13.1-14.0	0.01-2.57	36W	200mVpk-pk	±5%		84.78%	≤3s
UE36LCP1-XXXXYYSPA	14.1-15.0	0.01-2.40	36W	200mVpk-pk	±5%		84.78%	≤3s
UE36LCP1-XXXXYYSPA	18.0	0.01-2.00	36W	200mVpk-pk	±5%		84.78%	≤3s
UE36LCP1-XXXXYYSPA	18.1-19.0	0.01-1.89	36W	200mVpk-pk	±5%		84.77%	≤3s
UE36LCP1-XXXXYYSPA	19.1-20.0	0.01-1.80	36W	200mVpk-pk	±5%		84.78%	≤3s
UE36LCP1-XXXXYYSPA	20.1-21.0	0.01-1.71	36W	200mVpk-pk	±5%		84.77%	≤3s
UE36LCP1-XXXXYYSPA	21.1-22.0	0.01-1.63	36W	200mVpk-pk	±5%		84.76%	≤3s
UE36LCP1-XXXXYYSPA	22.1-23.0	0.01-1.56	36W	200mVpk-pk	±5%		84.76%	≤3s
UE36LCP1-XXXXYYSPA	23.1-24.0	0.01-1.50	36W	200mVpk-pk	±5%	84.78%	≤3s	

Mechanical Details

- DC Cable⁽³⁾: UL2468 16AWG 1,000mm with ferrite for 12 - 15V
UL2468 18AWG 1,000mm with ferrite for 18 - 24V
- Connector⁽⁴⁾: 2.5x5.5x11mm, fork type, centre "+"



Unit: mm

Notes
 (*1, 3, 4, 5) Other options are available, please contact our sales representative for details.
 (*2) Measured at output connector with 20MHz bandwidth and 0.1uF ceramic in parallel with 10uF electrolytic capacitors.
 (^) Power supplies are not medical equipment (applied parts), medical product manufacturers shall take responsibility for further evaluation of class B/BF/CF compliance of their end product.

Input

Input Voltage Range	90-264VAC
Frequency Range	47-63Hz
Input Current	0.9A at 90VAC
Inrush Current	50A max at 240VAC cold start
Touch Leakage Current ^(max)	≤100µA at 264VAC

Environmental

Operating Temperature	0°C to 40°C
Storage Temperature	-20°C to 60°C
Operating Humidity	10% to 90% RH, non-condensing
Storage Humidity	5% to 90% RH
Operating Altitude	5,000m

General

Dimensions	102(L)x36(W)x53(H)mm
Weight	200g
MTBF	>100,000hrs MIL-HDBK-217 at 25°C
Isolation	4,000VAC Input to Output

Protection

Overload	120-150% rated output power, auto recovery
Over Voltage	120-150% rated output voltage input to reset
Short Circuit	Trip and restart (hiccup mode)

Safety Approvals

Safety Agency / Mark	Medical	ITE
CB	IEC60601-1	IEC60950-1
UL	ANSI/AAMI ES60601-1 CAN/CSA C22.2 NO. 60601-1	-
TUV	EN60601-1	-
RCM	IEC60601-1, Cert: SAA150158	-
CCC	-	GB4943.1
PSE	-	J60950-1

EMC

Emissions	Medical
Conducted	IEC/EN 60601-1-2, CISPR 11
Radiated	IEC/EN 60601-1-2, CISPR 11
Harmonic Currents	EN61000-3-2, Class A
Voltage Flicker	EN61000-3-3
Immunity	IEC/EN 60601-1-2
ESD	EN61000-4-2 ±15kV air, ±8kV contact
Radiated Immunity	EN61000-4-3 10V/m, 3V/m 80MHz - 2.7GMHz
EFT/Burst	EN61000-4-4 ±2kV on AC port, ±1kV on signal ports
Surge	EN61000-4-5 ±1KV line to line (diff mode)
Conducted Immunity	EN61000-4-6 3Vrms, 6Vrms (0.15MHz-80MHz)
Magnetic Field	EN61000-4-8 30 A/m
Dips & Interruptions	EN61000-4-11 0%, 70%, 0% of UT

Others

Dielectric Withstand Voltage	5,656VDC input to output
Insulation Resistance	10M Ohms, 500VDC input to output