



IP20 Class II (VI)

Product Features

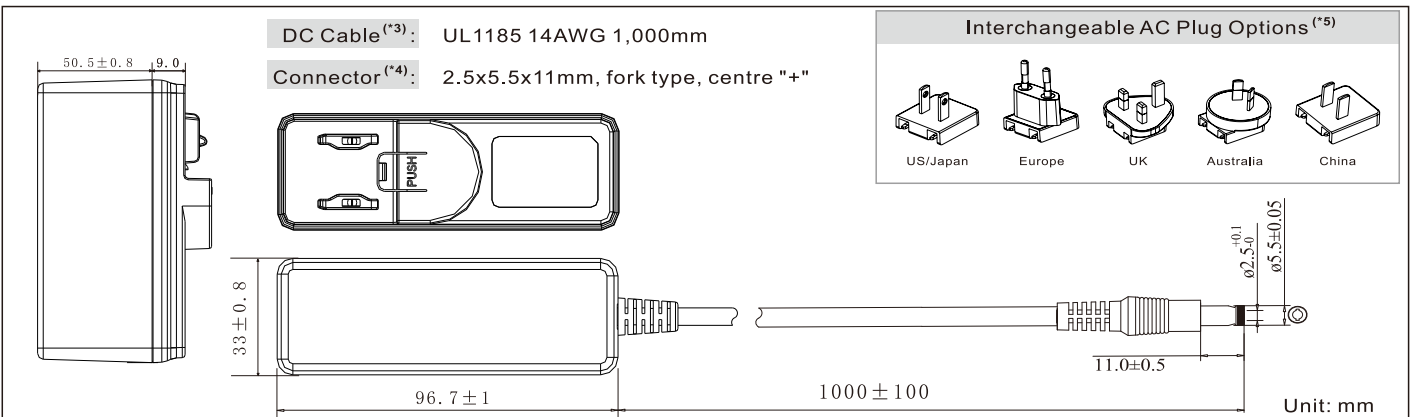
- Medical & ITE safety approvals
- 2 MOPP input to output isolation
- DOE efficiency level VI
- CoC Ver 5 tier 2
- Suitable for medical equipment up to class BF ^(^)
- Low leakage current $\leq 50\mu\text{A}$
- $\leq 0.075\text{W}$ standby power
- 9.0V to 36V outputs, up to 36W
- 5,000m operating altitude
- Interchangeable AC plugs



Models & Ratings

Model Number	Voltage ^(*) (V)	Current (A)	Rated Power	Ripple & Noise (max)(^(*) 2)	Voltage Tolerance	Line & Load Regulation	Efficiency (Average)	Start Up Delay
UES36LCP-XXXXXXSPA	9.0-10.0	0.01-4.00	36.0W	400mVpk-pk	±5%	Line: ±1% Load: ±5%	88.3%	≤3s
UES36LCP-XXXXXXSPA	10.1-11.0	0.01-3.56	36.0W	400mVpk-pk	±5%		88.3%	≤3s
UES36LCP-XXXXXXSPA	11.1-12.0	0.01-3.24	36.0W	400mVpk-pk	±5%		88.3%	≤3s
UES36LCP-XXXXXXSPA	12.1-13.0	0.01-2.97	36.0W	400mVpk-pk	±5%		88.3%	≤3s
UES36LCP-XXXXXXSPA	13.1-14.0	0.01-2.74	36.0W	400mVpk-pk	±5%		88.3%	≤3s
UES36LCP-XXXXXXSPA	14.1-15.0	0.01-2.55	36.0W	400mVpk-pk	±5%		88.3%	≤3s
UES36LCP-XXXXXXSPA	15.1-16.0	0.01-2.38	36.0W	400mVpk-pk	±5%		88.3%	≤3s
UES36LCP-XXXXXXSPA	16.1-17.0	0.01-2.23	36.0W	180mVpk-pk	±5%		88.3%	≤3s
UES36LCP-XXXXXXSPA	17.1-18.0	0.01-2.10	36.0W	180mVpk-pk	±5%		88.3%	≤3s
UES36LCP-XXXXXXSPA	18.1-19.0	0.01-1.98	36.0W	180mVpk-pk	±5%		88.3%	≤3s
UES36LCP-XXXXXXSPA	19.1-20.0	0.01-1.88	36.0W	180mVpk-pk	±5%		88.3%	≤3s
UES36LCP-XXXXXXSPA	20.1-21.0	0.01-1.79	36.0W	180mVpk-pk	±5%		88.3%	≤3s
UES36LCP-XXXXXXSPA	21.1-22.0	0.01-1.70	36.0W	180mVpk-pk	±5%		88.3%	≤3s
UES36LCP-XXXXXXSPA	22.1-23.0	0.01-1.62	36.0W	180mVpk-pk	±5%		88.3%	≤3s
UES36LCP-XXXXXXSPA	23.1-24.0	0.01-1.55	36.0W	180mVpk-pk	±5%		88.3%	≤3s
UES36LCP-XXXXXXSPA	24.1-25.0	0.01-1.49	36.0W	180mVpk-pk	±5%		88.3%	≤3s
UES36LCP-XXXXXXSPA	25.1-26.0	0.01-1.43	36.0W	240mVpk-pk	±5%		88.3%	≤3s
UES36LCP-XXXXXXSPA	26.1-27.0	0.01-1.37	36.0W	240mVpk-pk	±5%		88.3%	≤3s
UES36LCP-XXXXXXSPA	27.1-28.0	0.01-1.32	36.0W	240mVpk-pk	±5%		88.3%	≤3s
UES36LCP-XXXXXXSPA	28.1-29.0	0.01-1.28	36.0W	240mVpk-pk	±5%		88.3%	≤3s
UES36LCP-XXXXXXSPA	29.1-30.0	0.01-1.23	36.0W	240mVpk-pk	±5%	88.3%	≤3s	
UES36LCP-XXXXXXSPA	30.1-31.0	0.01-1.19	36.0W	240mVpk-pk	±5%	88.3%	≤3s	
UES36LCP-XXXXXXSPA	31.1-32.0	0.01-1.15	36.0W	240mVpk-pk	±5%	88.3%	≤3s	
UES36LCP-XXXXXXSPA	32.1-33.0	0.01-1.12	36.0W	240mVpk-pk	±5%	88.3%	≤3s	
UES36LCP-XXXXXXSPA	33.1-34.0	0.01-1.08	36.0W	240mVpk-pk	±5%	88.3%	≤3s	
UES36LCP-XXXXXXSPA	34.1-35.0	0.01-1.05	36.0W	240mVpk-pk	±5%	88.3%	≤3s	
UES36LCP-XXXXXXSPA	35.1-36.0	0.01-1.02	36.0W	240mVpk-pk	±5%	88.3%	≤3s	

Mechanical Details



Notes
 (*1, 3, 4, 5) Other options are available, please contact our sales representative for details.
 (*2) Measured at output connector with 20MHz bandwidth and 0.1uF ceramic in parallel with 10uF electrolytic capacitors
 (^) Power supplies are not medical equipment (applied parts), medical product manufacturers shall take responsibility for further evaluation of class B/BF/CF compliance of their end product.

Input

Input Voltage Range	90-264VAC
Frequency Range	47-63Hz
Input Current	0.5A at 90VAC
Inrush Current	70A max at 240VAC cold start
Touch Leakage Current ^(max)	≤50μA at 264VAC

Environmental

Operating Temperature	0°C to 40°C
Storage Temperature	-20°C to 60°C
Operating Humidity	10% to 90% RH, non-condensing
Storage Humidity	5% to 90% RH
Operating Altitude	5,000m

General

Dimensions	96.7(L)x33(W)x50.5(H)
Weight	230g
MTBF	>100,000hrs MIL-HDBK-217 at 25°C
Isolation	4,000VAC Input to Output

Protection

Overload	110-200% rated output power, auto recovery
Over Voltage	120-150% rated output voltage input to reset
Short Circuit	Trip and restart (hiccup mode)

Safety Approvals

Safety Agency / Mark	Medical	ITE
CB	IEC60601-1	IEC60950-1
UL	ANSI/AAMI ES60601-1 CAN/CSA C22.2 NO. 60601-1	UL60950-1 CAN/CSA C22.2 NO. 60950-1
TUV	EN60601-1	EN60950-1
RCM	-	AS/NZS 60950.1
PSE	-	J60950-1(For Class II only)

EMC

Emissions	Medical	ITE
Conducted	IEC/EN 60601-1-2, CISPR 11	EN55022, CISPR 22
Radiated	IEC/EN 60601-1-2, CISPR 11	EN55022, CISPR 22
Harmonic Currents	EN61000-3-2, Class A	EN61000-3-2, Class A
Voltage Flicker	EN61000-3-3	EN61000-3-3
Immunity	IEC/EN 60601-1-2	EN55024, CISPR 24
ESD	EN61000-4-2	±15kV air, ±8kV contact
Radiated Immunity	EN61000-4-3	10V/m, 3V/m 80MHz - 2.7GMHz
EFT/Burst	EN61000-4-4	±2kV on AC port, ±1kV on signal ports
Surge	EN61000-4-5	±1KV line to line (diff mode)
Conducted Immunity	EN61000-4-6	3Vrms, 6Vrms (0.15MHz-80MHz)
Magnetic Field	EN61000-4-8	30 A/m
Dips & Interruptions	EN61000-4-11	0%, 70%, 0% of UT

Others

Dielectric Withstand Voltage	5,656VDC input to output
Insulation Resistance	10M Ohms, 500VDC input to output